



1701 38TH AVE W  
PO BOX 257  
SPENCER, IA 51301  
PHONE: 712-262-4191  
FAX: 712-262-0248  
SERVICE: 800-841-2222  
E-MAIL: ccac@cyclecountry.com  
www.cyclecountry.com

**Work**  
**POWER**  
**2000**

# **ATV BLADE HARDWARE**

**For YAMAHA ATVs**

*Owner's Manual*

**MODEL NUMBER: 15-5570**

**CUSTOMER MUST RECEIVE A COPY OF THIS  
OWNERS MANUAL AT TIME OF SALE**

© 1999 Cycle Country Accessories Corp.

Rev. 1  
6/09/06

MAN0087

**THANK YOU FOR YOUR PURCHASE OF OUR**

**Work  
POWER  
2000**

**SNOW PLOW**

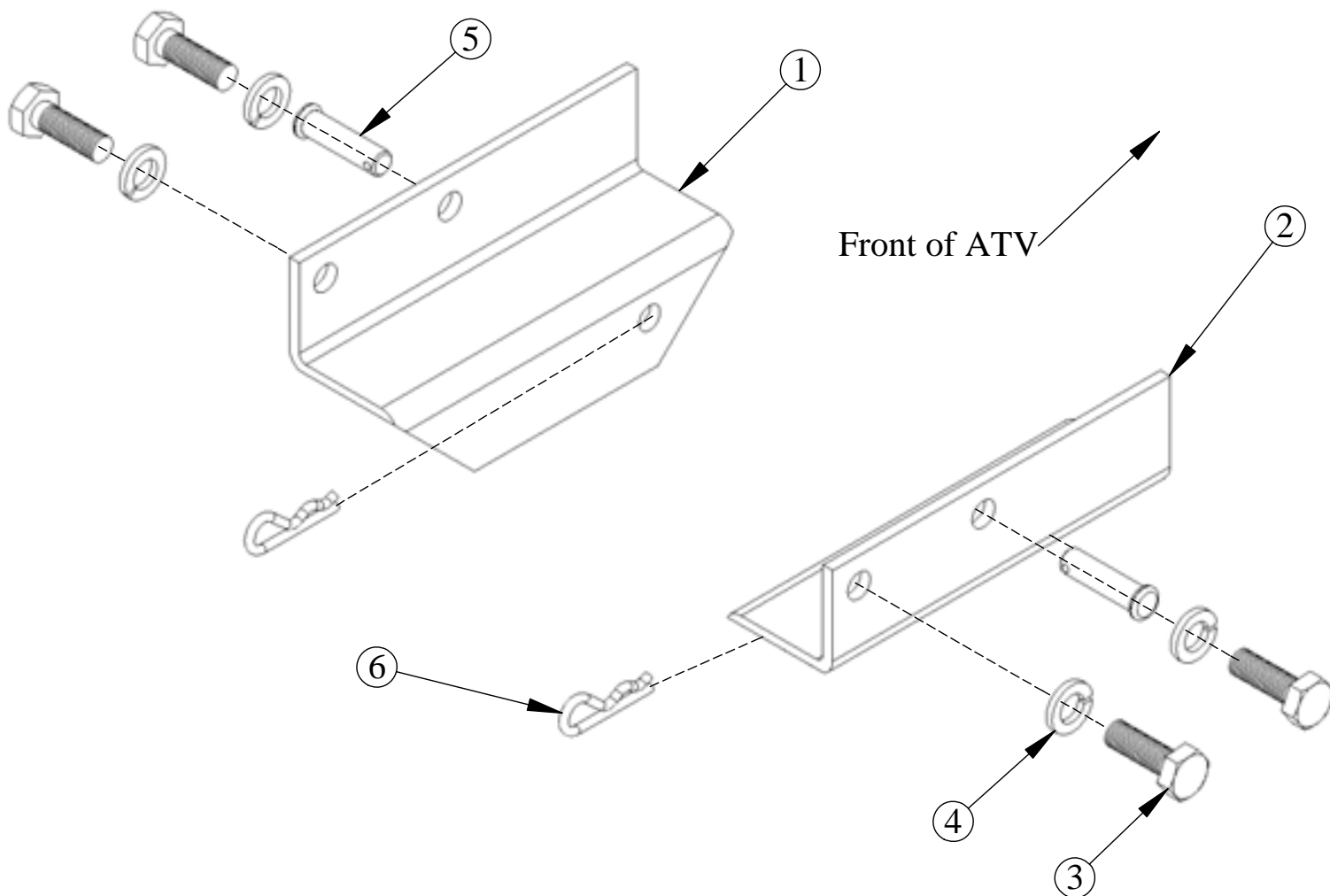
**ENCLOSED IN THIS KIT IS THE**

**ATTACHING HARDWARE KIT**

**TO HAVE A COMPLETE PLOW ASSEMBLY, YOU MUST HAVE AT LEAST FOUR BOXES:**

- 1. MODEL SPECIFIC ATTACHING HARDWARE KIT: TO ATTACH THE UNIVERSAL PUSH TUBE TO ATV.**
- 2. UNIVERSAL PUSH TUBE**
- 3. BLADE OF YOUR CHOICE (COLOR, STYLE, & SIZE)**
- 4. YOUR CHOICE OF BLADE LIFT METHODS,**
  - a. UNIVERSAL MANUAL LIFT: #15-0015**
  - b. ELECTRIC BLADE LIFT**
  - c. USE YOUR WINCH TO RAISE AND LOWER YOUR BLADE.**

**FOR SERVICE OR TECHNICAL SUPPORT CALL 1-800-841-2222**



## Model Number 15-5570 Parts List

ITEM NO.	QTY.	PART NO.	DESCRIPTION
1	1	CYC3175	Left Attaching Bracket
2	1	CYC3178	Right Attaching Bracket
3	4	PUR1299	10 x 30 Metric Bolt
4	4	PUR1295	7/16" Lockwasher
5	2	PUR1209	Clevis Pin .375 x 1.375 Yellow
6	2	PUR1249	#3 Hair Pin

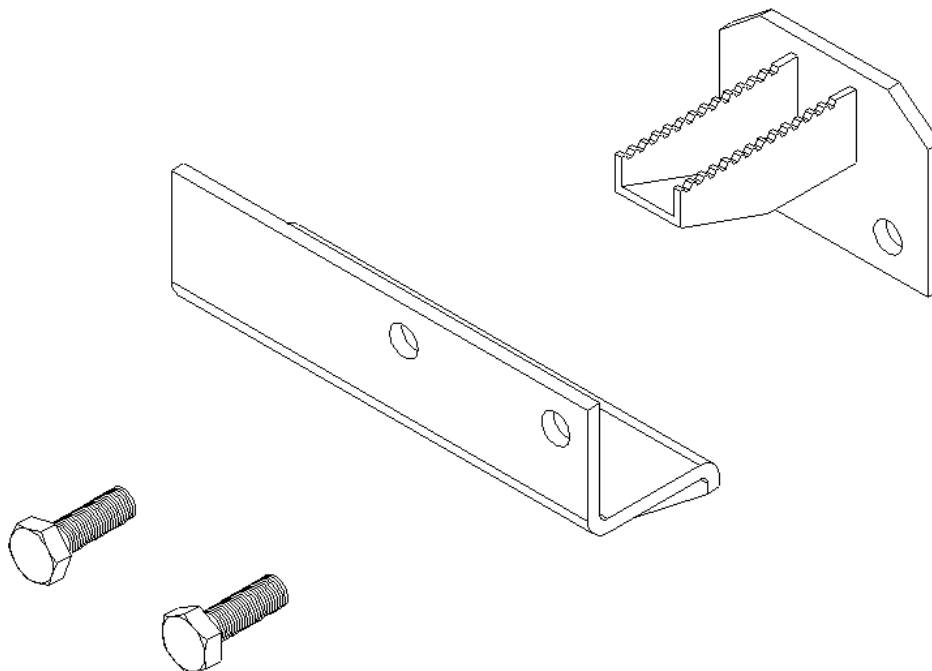
**WARNING**

- **Due to reduced ground clearance remove plow Mount Brackets before trail riding.**
- **Do not exceed 5 MPH with the blade or its brackets installed**
- ◆ **Periodically check for wear and tightness of all bolts, nuts and fasteners. Replace or tighten as necessary**

**All directions referring to the right and the left are when the operator is sitting on the ATV.**

**Model Number 15-5570  
Attaching Bracket Installation Instructions**

1. Remove the four metric bolts from the left and right foot rests on the ATV. Retain the bolts for use without the hardware kit attached. Install the push tube attaching brackets to the outside of the footrests using the four 10 x 30 metric bolts and lockwashers. The clevis pin holes go to the front. Tighten all Bolts Securely.



Left side view



1701 38TH AVE W  
PO BOX 257  
SPENCER, IA 51301  
PHONE: 712-262-4191  
FAX: 712-262-0248  
SERVICE: 800-841-2222  
E-MAIL: [ccac@cyclecountry.com](mailto:ccac@cyclecountry.com)  
[www.cyclecountry.com](http://www.cyclecountry.com)

## **ONE YEAR LIMITED WARRANTY**

For the period of one year from the purchase date Cycle Country Accessories Corporation will replace for the original purchaser, free of charge, any part or parts, when found, upon examination by Cycle Country Accessories Corporation, to be defective in material, workmanship, or both.

All transportation cost incurred by the purchaser in submitting the material to Cycle Country Accessories Corporation for replacement under this warranty must be borne by the purchaser. If Cycle Country Accessories Corporation determines that the product must be returned to the factory for credit please call 1-800-841-2222 for an RMA number and shipping instructions.

The warranty does not apply to parts that have been damaged by accident, alteration, abuse, improper lubrication, normal wear, or other causes beyond Cycle Country Accessories Corporation's control. Products such as engines, electric motors, and actuators may carry an original manufacturer's warranty. Please call Cycle Country Accessories Corporation for information.



Cycle Country Accessories Corporation has been a world-renowned manufacturer of quality ATV products since 1981 and we hope you will enjoy your new Cycle Country accessory.



**We're the Industry Snow Blade leader:**

48", 54", 60" & 72" Bear Force Straight Blades

52" & 60" State Plows

48", 60" & 72" 'V' Force Plow System

**If a winch is what you must have, then you've come to the right place:**

1500lb and 2500lb Winches

We also have an extensive line of winch mounts for both Cycle Country and Warn winches

**If you need to haul more gear on your quad, check out our baskets:**

Front Basket

Rear Basket

Rear Drop Basket

**If you need to mow the trail before you go riding one of these will help:**

Our 54" finish cut Quick Silver54 can be mounted in front or towed behind your ATV

The 48" Rough Cut will handle your toughest mowing jobs

The Rough Cut 44 provides an economical way to handle all your mowing needs

**If you are into deer hunting and want to make a food plot, you will love our 3 Point Hitch & Implements:**

Rear Blade	Moldboard Plow	Spreader
Furrower	Rake	
Cultivator	Disk Harrow	

**And many more accessories to help you Work Hard and Play Hard:**

For more information call us at 1-800-841-2222, or on the web at [www.cyclecountry.com](http://www.cyclecountry.com)